



**ILO3** LED AREA LIGHT  
PARKING LOT LIGHT



## > Features of IL03 Series

IL03 series is an economical energy-saving and flexible application scenarios street light/area light with high-cost performance.

- Power range: from 20W to 290W.
- Streamlined fixture body design, industrial-level design standards.
- Micro-lens systems produce IESNA Type II, Type III, Type IV and Type V distributions.
- Luminaries produces 0% total lumens above 90° (BUG Rating, U=0), provides uniform light output with a lower glare.
- Optical systems maintain an IP66 rating.
- The top spot of the fixture is reserved for the sensor in the case of future installation.
- A variety of brackets can be selected, easy to quickly match a variety of lamp posts, worry-free installation.

UP TO <b>145</b> lm/W	<b>L90B10</b> >52000hrs @ 25°C	100-277V 50/60HZ	<b>THD</b> <20%
• 2700K • 3000K • 4000K • 5000K • 5700K • 6500K	<b>CRI</b> 70/80/90	<b>ULR</b> =0	 <b>DIM</b>
Working Temperature Environment -40°C~50°C (-40°F~+122°F)	<b>IP66</b> <b>IK09</b>	<b>3G</b> VIBRATION TESTING	

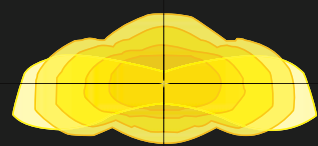


**Illuminate  
Your  
Future**

# > Photometric Design

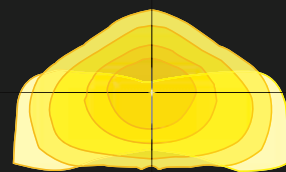
- Optimized, premium optical grade Mitsubishi polycarbonate lens, the efficient design of the modules make each light engine highly customizable, allowing the light distribution to be aimed toward the application.
- Optical systems allow for versatility, tight cutoffs, and flexible control for a wide variety of applications.
- We deliver innovation and customization, further expanding the flexibility of the project. Exceptional uniformity and low glare for maximum comfort and neighbor-friendly.

## Distribution Type



**TYPE II (T201)**

Asymmetric, Type II can be used in long and narrow aisles/lanes/sidewalks.



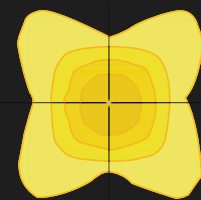
**TYPE III (T301)**

Asymmetric, Type III can be used in wide road parking areas, or at corner areas.



**TYPE IV (T401)**

Asymmetric, Type IV can be used in wide road parking areas, or at corner areas.



**TYPE V (T501)**

Symmetrical, T5 is suitable for use in the central area of the car park, or in road intersection areas.



Lumileds 3030 LED chip



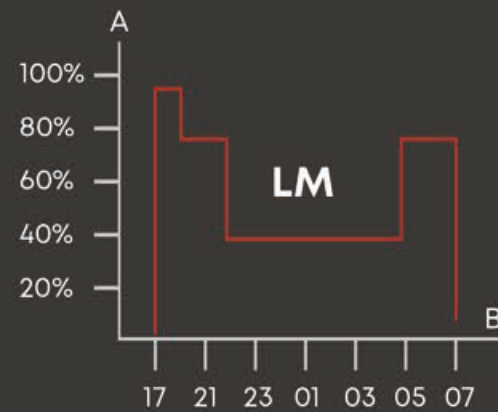
The photometric engine takes advantage of the latest generation of mid-power LEDs and dedicated optics for professional applications. Combined with Lumileds 3030 it provides an alternative solution for those who are looking for very cost-effective yet efficient lighting while keeping the same luminaire design.

# > Control Systems

## Custom Dimming Profile

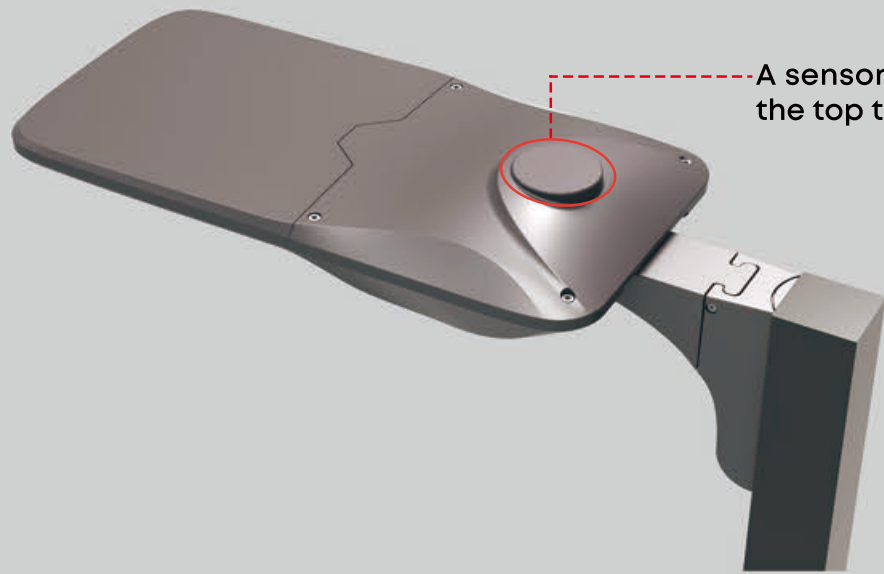
Intelligent luminaire drivers can be programmed with complex dimming profiles. With customized combinations of time intervals and light levels are possible. This feature does not require any extra wiring.

The period between switching on and switching off is used to activate the preset dimming profile. The customised dimming system generates maximum energy savings while respecting the required lighting levels and uniformity throughout the night.



## Daylight Sensor / Photocell

Photocell or daylight sensors switch the luminaire on as soon as natural light falls to a certain level. It can be programmed to switch on during a storm, on a cloudy day (in critical areas) or only at nightfall so as to provide safety and comfort in public spaces.



A sensor mounting hole is reserved on the top to facilitate future installation.



# > Application Reference

- Urban & residential streets
- Bridges
- Bike & pedestrian paths
- Railway stations & metros
- Car parks
- Squares & pedestrian areas
- Roads & motorways



# Parameter Table

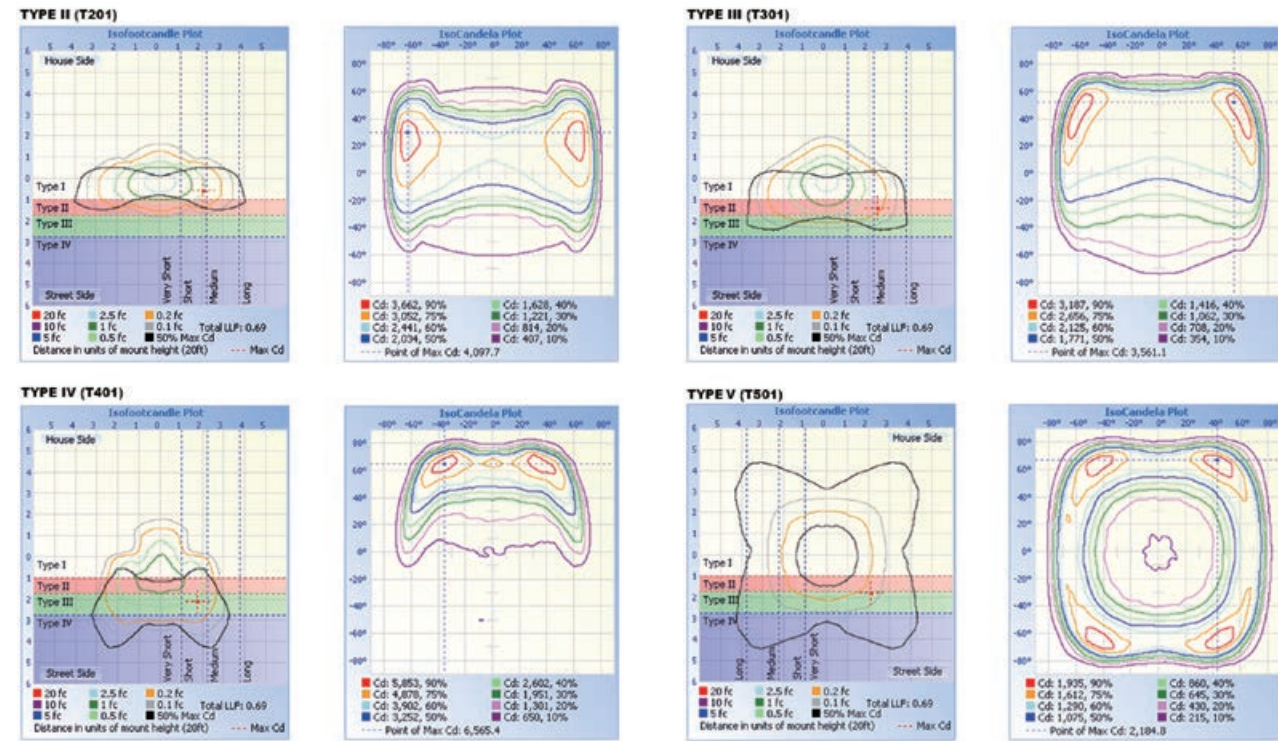
Electrical Data						
Model	20WIL03	50WIL03	70WIL03	100WIL03	120WIL03	
Power(W)	20 W	50 W	70 W	100 W	120 W	
Input voltage	100-277VAC					
THD	<20%					
PF	≥0.95	≥0.95	≥0.98	≥0.98	≥0.98	
Driver	Meanwell / Sosen / Philips. Class 1/ Class 2, EU					
Operating temperature	-40°C to 50°C (-40 °F to 122 °F)					
Control Option	Surge Protective Device、Daylight Sensor Control、1-10V Dimming					
Surge Protection	10kV / 20kV optional					
Photometric Data						
Efficacy(lm/W) (CRI 70Ra, 5000K) (Std Dev ±3%)	T2	145lm/W	140lm/W	140lm/W	135lm/W	135lm/W
	T3	145lm/W	140lm/W	140lm/W	135lm/W	135lm/W
	T4	145lm/W	140lm/W	140lm/W	135lm/W	135lm/W
	T5	145lm/W	140lm/W	140lm/W	135lm/W	135lm/W
Luminous flux (lm) (CRI 70Ra, 5000K) (Std Dev ±3%)	T2	2900 lm	7000 lm	9800 lm	13500 lm	16200 lm
	T3	2900 lm	7000 lm	9800 lm	13500 lm	16200 lm
	T4	2900 lm	7000 lm	9800 lm	13500 lm	16200 lm
	T5	2900 lm	7000 lm	9800 lm	13500 lm	16200 lm
ULR	= 0%, @ Luminaire inclination 0°					
CCT	2700K, 3000K, 4000K, 5000K, 5700K, 6500K					
CRI	70Ra, 80Ra, 90Ra optional					
Beam angle	T2/T3/T4/T5					
LED Manufacturer	LUMILEDS					
LED model	Lumileds 3030					
Working current of single LED (mA)	T2	40mA	100mA	90mA	135mA	115mA
	T3	40mA	100mA	90mA	135mA	115mA
	T4	40mA	100mA	90mA	135mA	115mA
	T5	40mA	100mA	90mA	135mA	115mA
Mechanical Data						
IP/IK	IP66/IK09, according to standard EN 60529 and EN 62262					
Vibration resistance	3G, conform to standard IEC 68-2-6.					
SCx	Front: 1.32ft <sup>2</sup> (0.122632m <sup>2</sup> ); Side: 0.34ft <sup>2</sup> (0.031587m <sup>2</sup> )		Front: 1.77ft <sup>2</sup> (0.164438m <sup>2</sup> ); Side: 0.37ft <sup>2</sup> (0.034374m <sup>2</sup> )			
Materials	Heavy-duty die-cast aluminum (EN AC-46100)					
Painting	Black, Silver, Custom request					
Surface treatment	Anti-UV thermosetting polyester / 80 micron epoxy primer + Anti-UV thermosetting polyester (for extremely corrosive environments).					
Cable	Pre-wired with a 30 cm cable (Other lengths on request)					
Mounting	Slip fitter/Square Pole Mount/Slide & Lock Mount					
Others						
Lifespan	L90B10 > 52000 hrs, @Ta 25°C					
Warranty	5 years (Warranty extension up to 10 years on request)					
Product Size	23.46*8.43*3.68" /596*214*93.5mm		26.22*10*3.68" /666*254*93.5mm			
Net Weight	3.8kg	3.8kg	3.8kg	3.8kg	4.7kg	
Recommend installation height	General 4-12m, based on actual project requirements					
Application field	Aear lighting, parking lot lighting /Urban and rural street					

Electrical Data						
Model	150WIL03	180WIL03	230WIL03	260WIL03	290WIL03	
Power(W)	150 W	180 W	230 W	260 W	290 W	
Input voltage	100-277VAC					
THD	<20%					
PF	≥0.98	≥0.98	≥0.98	≥0.96	≥0.96	
Driver	Meanwell / Sosen / Philips. Class 1/ Class 2, EU					
Operating temperature	-40°C to 50°C (-40 °F to 122 °F)					
Control Option	Surge Protective Device、Daylight Sensor Control、1-10V Dimming					
Surge Protection	10kV / 20kV optional					
Photometric Data						
Efficacy(lm/W) (CRI 70Ra, 5000K) (Std Dev ±3%)	T2	135lm/W	140lm/W	135lm/W	135lm/W	130lm/W
	T3	135lm/W	140lm/W	135lm/W	135lm/W	130lm/W
	T4	135lm/W	140lm/W	135lm/W	135lm/W	130lm/W
	T5	135lm/W	140lm/W	135lm/W	135lm/W	130lm/W
Luminous flux (lm) (CRI 70Ra, 5000K) (Std Dev ±3%)	T2	20250lm	25200lm	27000lm	32800lm	37700lm
	T3	20250lm	25200lm	27000lm	32800lm	37700lm
	T4	20250lm	25200lm	27000lm	32800lm	37700lm
	T5	20250lm	25200lm	27000lm	32800lm	37700lm
ULR	= 0%, @ Luminaire inclination 0°					
CCT	2700K, 3000K, 4000K, 5000K, 5700K, 6500K					
CRI	70Ra, 80Ra, 90Ra optional					
Beam angle	T2/T3/T4/T5					
LED Manufacturer	LUMILEDS					
LED model	Lumileds 3030					
Working current of single LED (mA)	T2	145mA	120mA	135mA	105mA	115mA
	T3	145mA	120mA	135mA	105mA	115mA
	T4	145mA	120mA	135mA	105mA	115mA
	T5	145mA	120mA	135mA	105mA	115mA
Mechanical Data						
IP/IK	IP66/IK09, according to standard EN 60529 and EN 62262					
Vibration resistance	3G, conform to standard IEC 68-2-6.					
SCx	Front: 1.77ft <sup>2</sup> (0.164438m <sup>2</sup> ); Side: 0.37ft <sup>2</sup> (0.034374m <sup>2</sup> )		Front: 2.23ft <sup>2</sup> (0.207173m <sup>2</sup> ); Side: 0.4ft <sup>2</sup> (0.037161m <sup>2</sup> )		Front: 2.62ft <sup>2</sup> (0.243406m <sup>2</sup> ); Side: 0.51ft <sup>2</sup> (0.047380m <sup>2</sup> )	
Materials	Heavy-duty die-cast aluminum (EN AC-46100)					
Painting	Black, Silver, Custom request					
Surface treatment	Anti-UV thermosetting polyester / 80 micron epoxy primer + Anti-UV thermosetting polyester (for extremely corrosive environments).					
Cable	Pre-wired with a 30 cm cable (Other lengths on request)					
Mounting	Slip fitter/Square Pole Mount/Slide & Lock Mount					
Others						
Lifespan	L90B10 > 52000 hrs, @Ta 25°C					
Warranty	5 years (Warranty extension up to 10 years on request)					
Product Size	26.22*10*3.68" /666*254*93.5mm		28.03*11.65*3.72" /712*296*94.5mm		31.5*12.13*4.13" / 800*308*105mm	
Net Weight	4.7kg	6.1kg	6.1kg	8.3kg	8.3kg	
Recommend installation height	General 4-12m, based on actual project requirements					
Application field	Aear lighting, parking lot lighting /Urban and rural street					

# Ordering Information

Aura Renewable Energy								
WATTS	VOLTAGE	LED CHIPS	TYPE OF SENSOR	CCT&CRI	DISTRIBUTION	MOUNT	HOUSING	OPTIONS
20WiL03	NV=100-277V	L3=LUMILEDS 3030	00=Without Sensor	2770=2700K 70CRI	T2=Type II	A=Slip fitter	SG=Silver Gray	10KV SPD
50WiL03			PH=Photocell	3070=3000K 70CRI	T3=Type III	B=Slide & Lock	BK=Black	20KV SPD
70WiL03			DV=Dimmable	4070=4000K 70CRI	T4=Type IV	C=Square Pole		
100WiL03				5070=5000K 70CRI	T5=Type V			
120WiL03				5770=5700K 70CRI				
150WiL03				6570=6500K 70CRI				
180WiL03				2780=2700K 80CRI				
230WiL03				3080=3000K 80CRI				
260WiL03				4080=4000K 80CRI				
290WiL03				5080=5000K 80CRI				
				5780=5700K 80CRI				
				6580=6500K 80CRI				

## Illuminance Diagram



## Mounting Options & Accessories



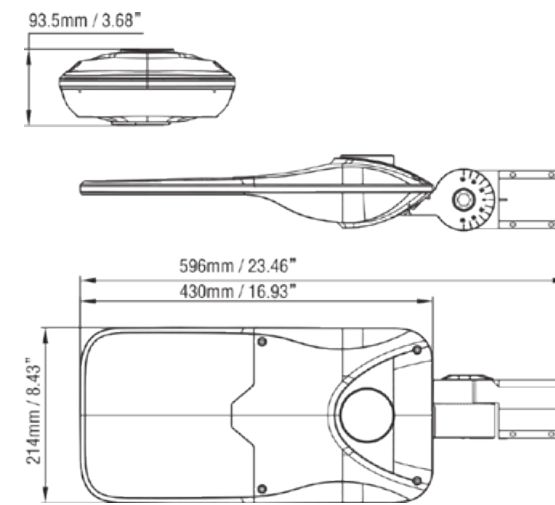
• Slip Fitter Mount • Slide & Lock Mount • Square Pole Mount



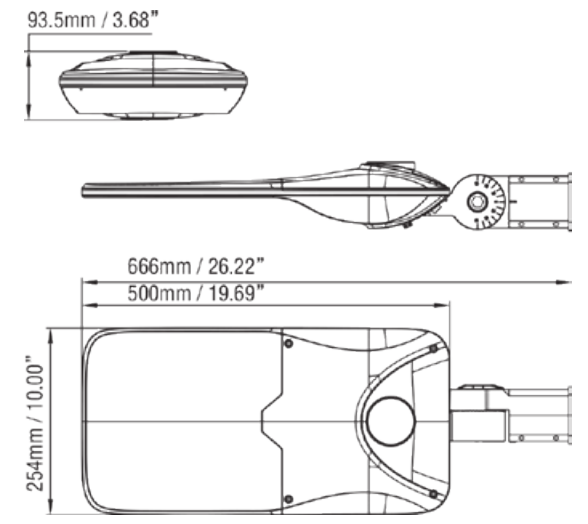
\*As the products are upgraded, the accessories may differ from those described in the pictures. Please consult with our sales team for updated details and order separately.

## Dimension

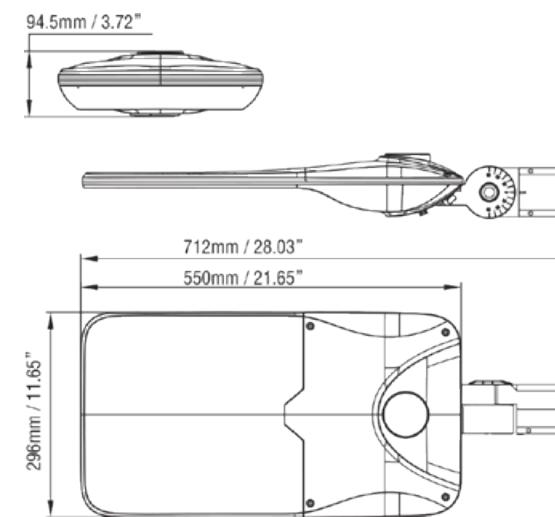
### 20W-100W



### 120W-150W



### 180W-230W



### 260W-290W

